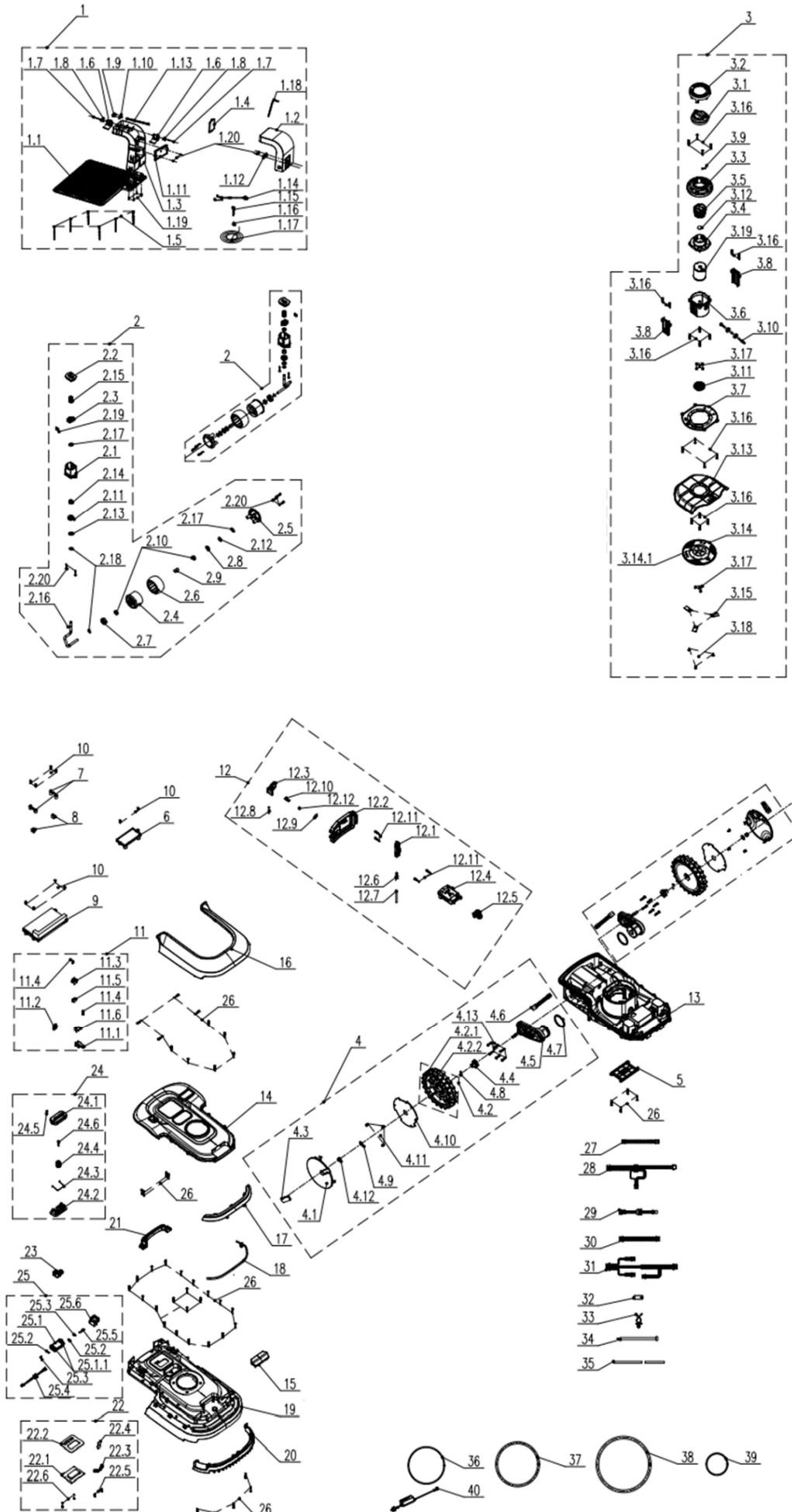
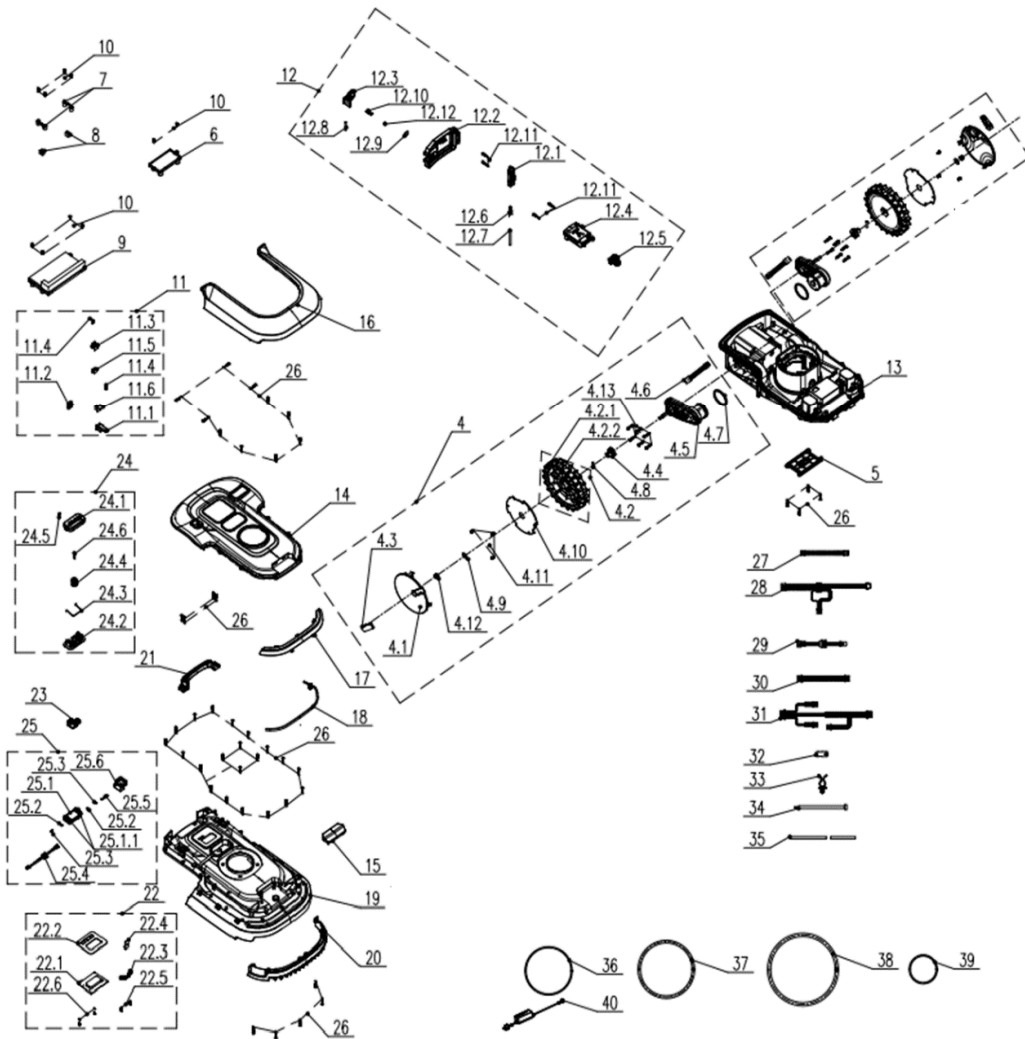
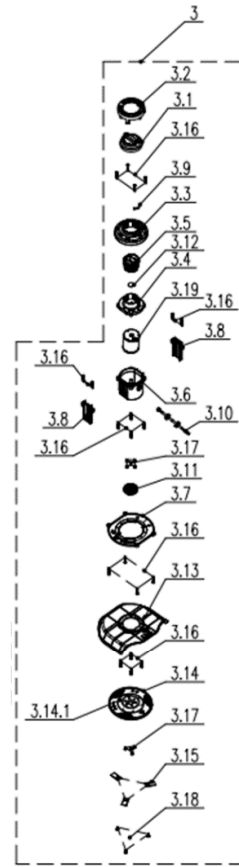
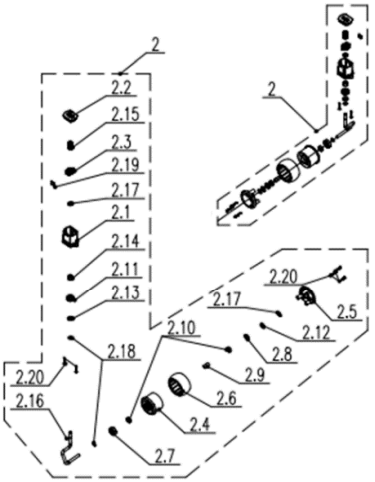
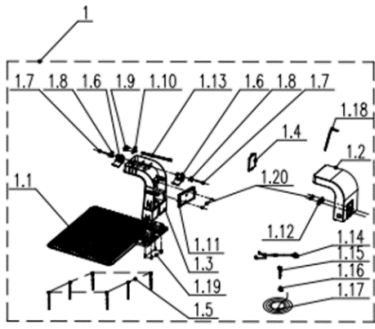


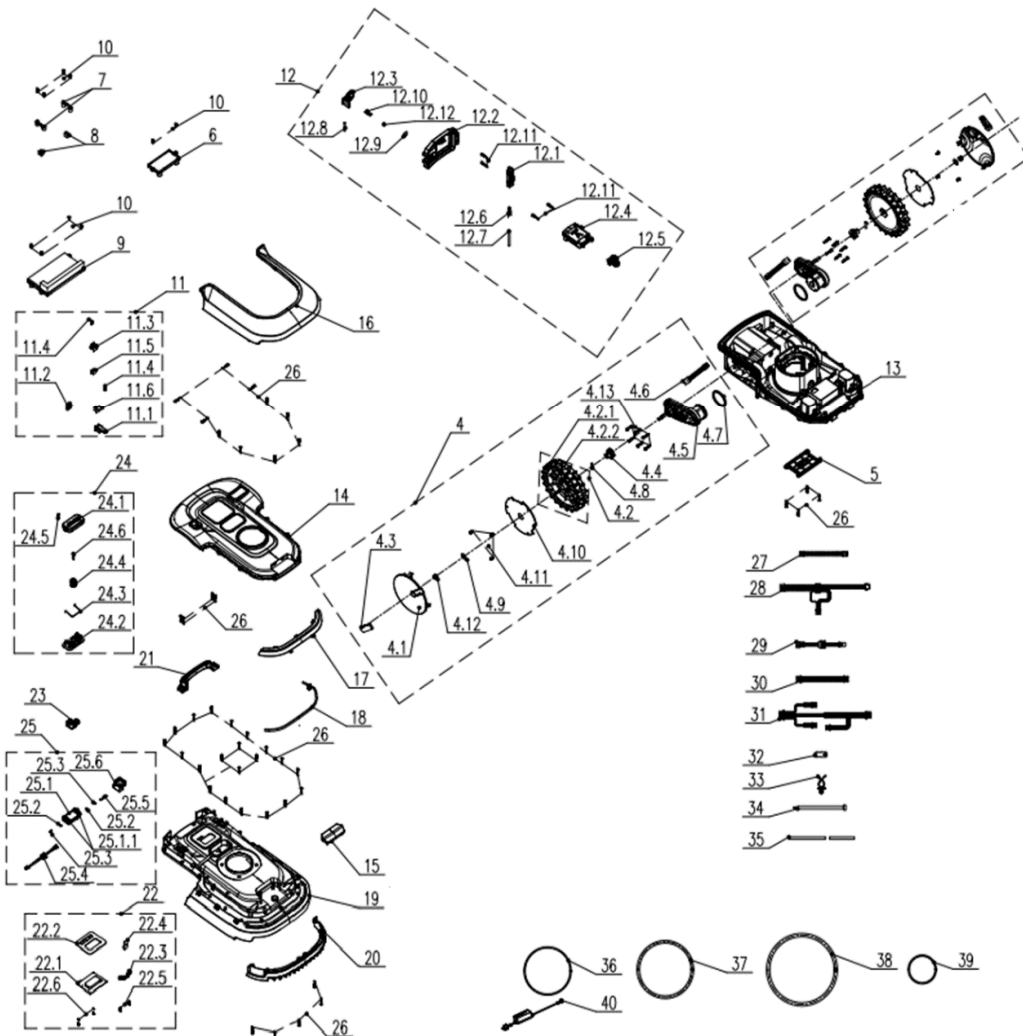
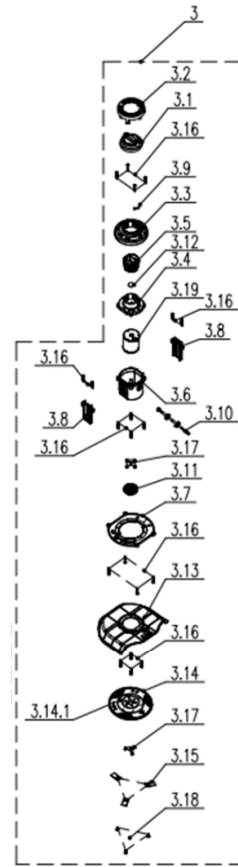
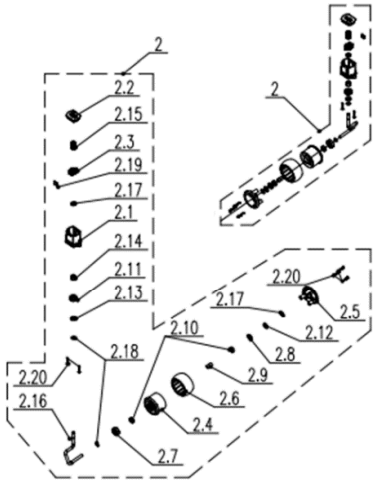
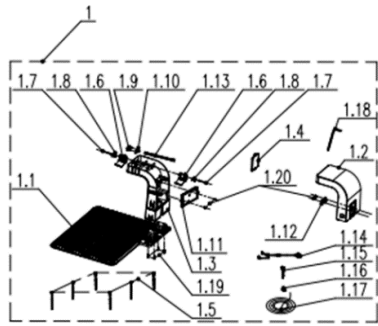
ROBOT 4 SISON LR180-L2-EU



SR No.	component number	drawing no.	Description	qty
1	199036000036	A027013-116	power station base assembly	1
1.1	202063000031	A027013-036	base plate	1
1.2	202030002199	A027013-037	cover	1
1.3	202090000325	A027013-038	Fixed seat	1
1.4	202030002200	A027013-039	cover	1
1.5	202090000326	A027013-056	Fixed seat	6
1.6	202031001029	A027013-068	Bracket	2
1.7	201026000540	A027013-075	axis	2
1.8	207010400021	A027013-076	double torsion spring	2
1.9	202010000059	Z021009-004	lampshade	2
1.10	102003001188	A027013-089	electronic components	1
1.11	102003001190	A027013-090	electronic components	1
1.12	207039800332	A027013-091	Connecting line	1
1.13	207039800333	A027013-092	Connecting line	1
1.14	207040200068	A027013-093	Two core cable	1
1.15	202090000247	A027005-012	Fixed seat	150
1.16	202157000129	A027005-144	wire buckle	2
1.17	207039901132	A027013-150	Connecting line	1
1.18	8261-282201-0000000	8261-282201	Allen wrench	1
1.19	8SJEB40-16B	8SJEB40-16	Phillips pan head self-tapping screws	4
1.20	207310700031	8SJEB30-08	Hexalobular pan head self-tapping screws	4
2	199088000193	A027013-117	wheel assembly	2
2.1	202090000327	A027013-040	Fixed seat	1
2.2	202030002201	A027013-041	cover	1
2.3	202031001028	A027013-042	Bracket	1
2.4	202095000011	A027013-043	roller	1
2.5	202095000012	A027013-044	roller	1
2.6	202095000013	A027013-045	roller	1
2.7	202030002202	A027013-046	cover	1
2.8	202145000017	A027013-047	plastic pad	1
2.9	202031001030	A027013-048	Bracket	1
2.10	207390200089	A027018-015	Deep groove ball bearing	2
2.11	202178000062	A027013-064	rubber stopper	1
2.12	202178000063	A027013-066	rubber stopper	1
2.13	207050100099	A027013-069	Flat Washers	1
2.14	207280200025	A027013-070	Flange bushing	1
2.15	207010100145	A027013-152	compressed spring	1
2.16	201026000541	A027013-073	axis	1
2.17	8202-502204-0000000	8202-502204	Internal toothed retaining ring	2
2.18	207050100042	A027005-143	Flat Washers	2
2.19	209301000035	A027005-132	Magnetic tile	1
2.20	8SJEB40-16B	8SJEB40-16	Phillips pan head self-tapping screws	5



3	199029000300	A027013-118	blade assembly kit	1
3.1	202003002301	A027013-007	button	1
3.2	202030002203	A027013-008	cover	1
3.3	202030002204	A027013-009	cover	1
3.4	202030002205	A027013-010	cover	1
3.5	202003002302	A027013-011	button	1
3.6	202090000328	A027013-012	Fixed seat	1
3.7	202031001031	A027013-013	Bracket	1
3.8	202031001032	A027013-006	Bracket	2
3.9	201072000042	A027013-077	shrapnel	1
3.10	207040200069	A027013-156	three core cable	1
3.11	201101000091	A027013-078	Fixed seat	1
3.12	202023000111	A027013-079	waterproof breathable membrane	1
3.13	202012000652	A027013-014	protecting cover	1
3.14	202031001033	A027013-015	Bracket	1
3.14.1	207169900096	A027013-080	nut	3
3.15	201045000399	A027013-081	blade	9
3.16	8SJEB40-16B	8SJEB40-16	Phillips pan head self-tapping screws	20
3.17	207422000004	8SJED04-10	Hexalobular pan head anti-drop screws	7
3.18	207420500002	8SNAF04-10	Cross recessed pan head flange face screws	9
3.19	101001001145	A027013-201	Motor components	1
4	199088000194	A027013-119	wheel assembly	2
4.1	202121000686	A027013-049	wheel cover	1
4.2	202095000016	A027013-170	roller	1
4.2.1	202095000015	A027013-052	roller	1
4.2.2	202095000014	A027013-050	roller	1
4.3	202033000591	A027013-051	decorative cover	1
4.4	202031001034	A027013-057	Bracket	1
4.5	101001001146	A027013-231	Motor components	1
4.6	207039800334	A027013-154	Connecting line	1
4.7	202023000112	A027013-058	plug	1
4.8	8PB50-30B	8PB50-30	Elastic cylindrical pin	1
4.9	8202-545203-000000	8202-545203	washer	1
4.10	201047000176	A027013-173	fixed plate	1
4.11	8SNAB50-10D	8SNAB50-10	Cross recessed pan head flange face self-tapping screws	3
4.12	8NE-08D01	8NE-08D01	Non-metallic hexagonal flange face lock nut	1
4.13	8SJAB50-25Q	8SJAB50-25	Self-tapping screws	6
5	202031001036	A027013-022	Bracket	1
6	102003001192	A027013-107	electronic components	1
7	202031001037	A027013-025	Bracket	2
8	102003001186	A027013-088	electronic components	2
9	102003001185	A027013-105	electronic components	1
10	8SJGB40-12D	8SJGB40-12	Composite groove pan head self-tapping screws	10
11	199036000037	A027013-124	base assembly	1
11.1	202031001038	A027013-053	Bracket	1
11.2	202178000064	A027013-065	rubber stopper	1
11.3	202031001039	A027013-054	Bracket	1
11.4	8SJGB40-12D	8SJGB40-12	Composite groove pan head self-tapping screws	2
11.5	102003001186	A027013-088	electronic components	1
11.6	102003001189	A027013-104	electronic components	1



12	199001000671	A027013-125	End cap assembly	1
12.1	202031001040	A027013-018	Bracket	1
12.2	202011000706	A027013-027	end cap	1
12.3	202031001041	A027013-028	Bracket	1
12.4	202031001042	A027013-034	Bracket	1
12.5	202031001043	A027013-055	Bracket	1
12.6	207010400022	A027013-084	double torsion spring	1
12.7	201026000538	A027013-111	axis	1
12.8	201026000539	A027013-112	axis	1
12.9	202023000111	A027013-079	waterproof breathable membrane	1
12.10	8342-471901-0000000	8342-471901	Push button spring	1
12.11	8SJEB40-16B	8SJEB40-16	Phillips pan head self-tapping screws	4
12.12	8415-661601-0000000	8415-661601	magnetic steel	1
13	202016005351	A027013-004	chassis	1
14	202030002206	A027013-005	cover	1
15	202030002207	A027013-017	cover	1
16	202030002208	A027013-002	cover	1
17	202030002209	A027013-032	cover	1
18	207039800335	A027013-098	Connecting line	1
19	202016005352	A027013-003	chassis	1
20	202031001046	A027013-026	Bracket	1
21	202024003253	A027013-016	handle	1
22	199090000144	A027013-126	Panel components	1
22.1	102003001191	A027013-100	electronic components	1
22.2	299999000486	A027013-071	Film mask	1
22.3	202031001047	A027013-024	Bracket	1
22.4	102003001187	A027013-096	electronic components	1
22.5	8SJEB40-16B	8SJEB40-16	Phillips pan head self-tapping screws	2
22.6	207310700031	8SJEB30-08	Hexalobular pan head self-tapping screws	2
23	207039800336	A027013-033	Connecting line	1
24	199014000018	A027013-127	Brake components	1
24.1	202003002303	A027013-029	button	1
24.2	202031001048	A027013-030	Bracket	1
24.3	201120000111	A027013-085	tie rod	1
24.4	207010100146	A027013-072	compressed spring	1
24.5	8415-661601-0000000	8415-661601	magnetic steel	1
24.6	8SJEB40-16B	8SJEB40-16	Phillips pan head self-tapping screws	1
25	199071000175	A027013-128	Connector components	1
25.1	202031001049	A027013-031	Bracket	1
25.1.1	201056000187	A027013-086	Inserts	2
25.2	8NH-03D01	8NH-03D01	Type 1 non-metallic insert hexagonal lock nut	2
25.3	207420100007	8SJAD03-08	Cross recessed pan head screws	2
25.4	207040200070	A027013-097	Two core cable	1
25.5	8SJEB40-16B	8SJEB40-16	Phillips pan head self-tapping screws	1
25.6	202030002210	A027013-035	cover	1
26	8SJEB40-16B	8SJEB40-16	Phillips pan head self-tapping screws	44
27	207039800310	A027013-095	Connecting line	1
28	207039800337	A027013-102	Connecting line	1
29	207039800338	A027013-157	Connecting line	1
30	207039800339	A027013-108	Connecting line	1
31	207039800340	A027013-109	Connecting line	1
32	204031000229	A027013-174	Connector	1
33	202157000136	A027013-176	Line buckle	4
34	236-1016	236-1016	Cable ties	2
35	202178000066	A027013-114	rubber stopper	1
36	202178000067	A027013-115	rubber stopper	1
37	202178000074	A027013-167	rubber stopper	1
38	202178000075	A027013-168	rubber stopper	1
39	202178000076	A027013-169	rubber stopper	1
40	Z02100085	Z021096-001	charger Page 6	1